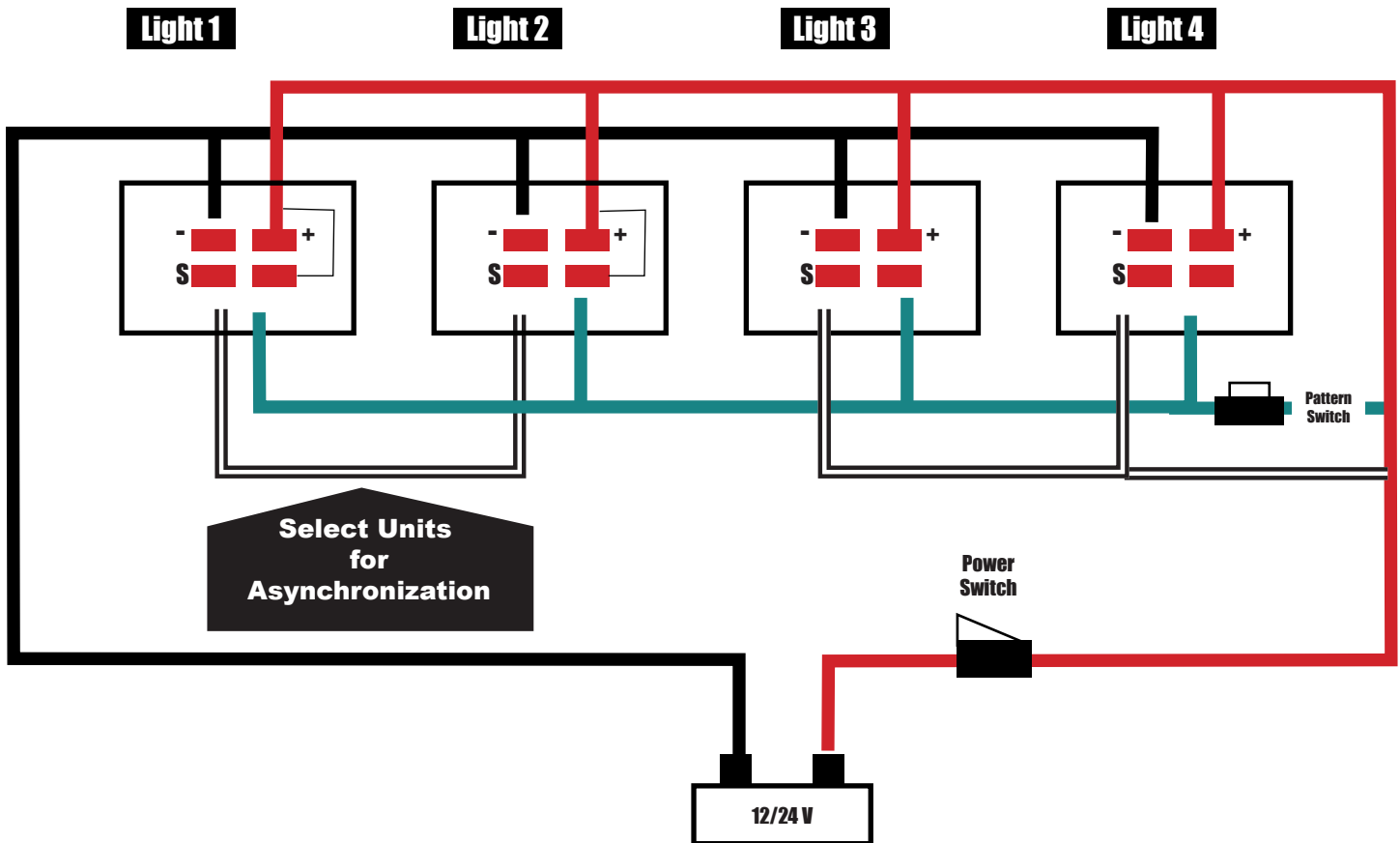


4 Wire Asynchronization Wiring Diagram

CA 7082A

Red: Anode , Live, Power
 Green: Changing Flash Patterns
 White: Asynchronisation
 Black : Earth, Negative Pole



Select Units for Asynchronization

Sync Settings:

1. Connect all the positive (Red) wires of all lamps, connect all the negative (Black) wires of all lamps, connect all the sync wires of all lamps.
2. Connect the positive (Red) wires and negative (Black) wires of one lamp to the power supply , connect the sync wire with the positive wire after 2.5 seconds, then all the lamp will back to the first flash pattern. Then all the lamp will be synced.
3. Connect the Asynchronisation (White) wire to the power wire after 0.5 seconds, all the lamp will change and keep asynchronisation

Disclaimer: This diagram is to be used as a guide, Use of this guide is at the installers risk.